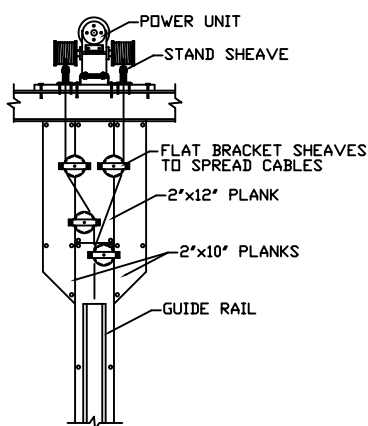
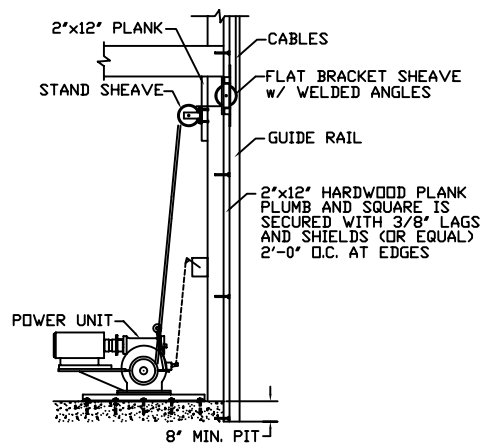


DOUBLE DRUM MACHINE w/ CANTED SHEAVES ADJACENT TO HOISTWAY

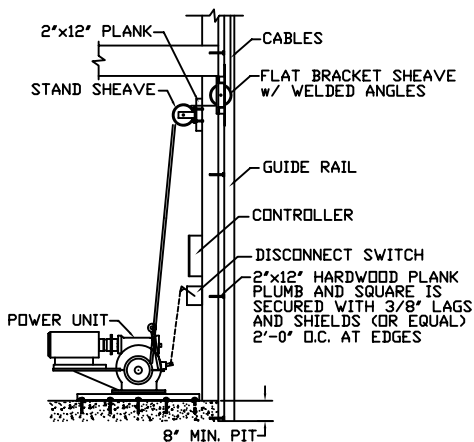


DOUBLE DRUM POWER UNIT LOCATED OVERHEAD

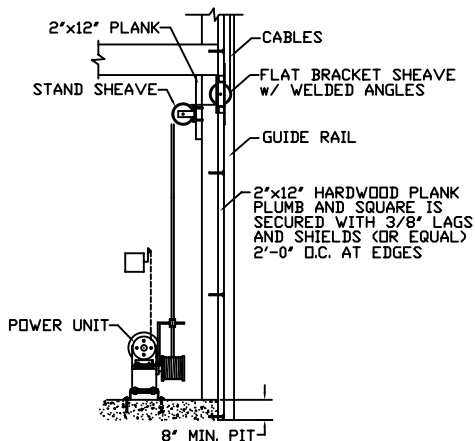


ALTERNATE POWER UNIT LOCATIONS SINGLE DRUM MACHINES

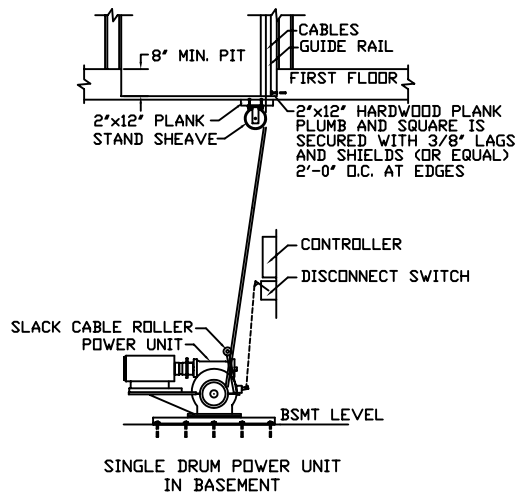
* POWER UNIT SET 90° FROM STANDARD EXAMPLE MAY BE USED WITH RIGHT AND LEFT HAND MACHINES.



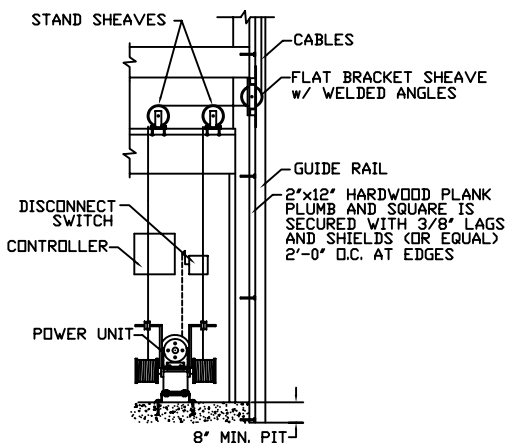
DOUBLE DRUM MACHINE w/ CABLES ON BOTH SIDES OF RAIL



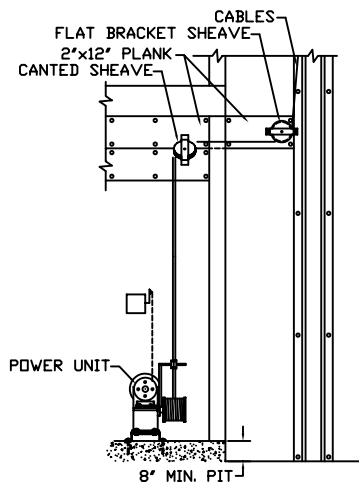
STANDARD SINGLE DRUM BEHIND RAIL



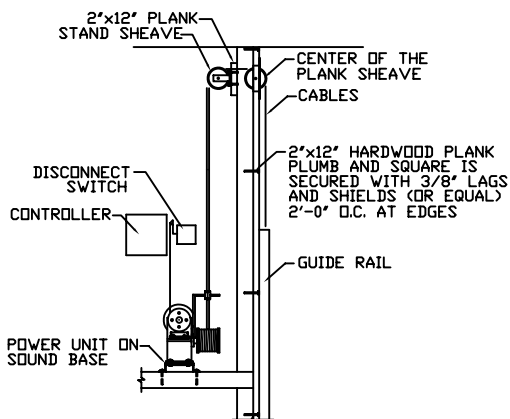
SINGLE DRUM POWER UNIT IN BASEMENT



DOUBLE DRUM MACHINE w/ SHEAVES MOUNTED OVERHEAD

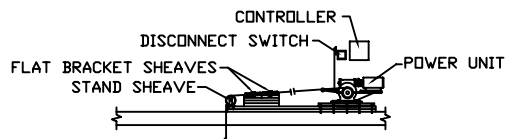


* POWER UNIT LOCATED TO SIDE OF SHAFT USING A CANTED FLAT SHEAVE



POWER UNIT LOCATED ON TOP FLOOR BY USING CENTER OF THE PLANK SHEAVE

* POWER UNIT MAY BE ROTATED 90° OR 180° ARRANGEMENT MAY BE USED WITH RIGHT OR LEFT HAND POWER UNITS



DOUBLE DRUM OVERHEAD