

SHOP DRAWING NAME

TYPICAL

ARCHITECT

GENERAL CONTRACTOR

EQUIPMENT INSTALLED BY

TYPICAL

SPECIFICATIONS

2 LANDING

"ELEVETTE" 3400

CAR 36"Dx48"Wx7'-0"H OVERALL DIMS.

CODE(S) 1

CAPACITY 750 LBS. AT 30 F.P.M.

2 WIRE ROPES 13,200 LBS. T.S. IMP. PLOW

STEEL 3/8" x 8 x 19 WSC

CAR CONSTRUCTION: 3/4" HRDWD VENEER

COLOR/PANEL SELECTION: ADVISE

ALL DOORS INTERLOCKED - EM4

SOUND BASE

MACHINE LIMIT

PHONE BOX - BRASS STAINLESS

FLOATING GATE

COLLAPSIBLE GATE FIN. - ADVISE

GATE SAFETY BAR

D.A. GATE LOCK

ACCORDIAN FOLD GATE

CAR CONTROL PLATE FIN. - ADVISE

REWOTE PLATES FINISH - ADVISE

COP. HEIGHT - STD. DWHEELCHAIR

IN USE LIGHT

ARRIVAL LIGHTS

KEYSWITCH IN CAR

STANDARD ALARM

EMERGENCY LIGHT AND BELL

CONSTANT PRESSURE

DOOR OPEN ALARM

HOMING DEVICE - ADVISE

LAMP FIXTURE - ADVISE

AUTO CAB LIGHT

HANDBAIL - ADVISE

FLOOR TYPE - ADVISE

STABILIZER

HALF TROLLEY

SOFT START

EBL

NOTES:

1. NOTICE TO ELECTRICAL CONTRACTOR:

BRING 4 #10 WIRES TO DISCONNECT SWITCH; (2)220V., (1)-NEUTRAL, (1)-GROUND.

3 HP. MOTOR 240 VOLTS 3 PHASE 60 CYCLE RUNS ON 1 PHASE 16 AMPS RUN 60 AMPS START 30 AMP MAIN LINE FUSE

2. NOTICE TO G.C.

ALL HOISTWAY AND MACHINE ROOM CONSTRUCTION MUST COMPLY WITH NATIONAL, STATE, AND LOCAL CODES. PLEASE ADVISE INCOA OF ANY CHANGES NEEDED TO THE DRAWING FOR COMPLIANCE IN YOUR AREA.

3. SWING TYPE SHAF T DOORS BY OTHERS.

4. NOTICE TO ELEVATOR CONTRACTOR OR HIS REPRESENTATIVE:

ALL ELECTRICAL WIRING MUST BE DONE BY A JOURNEYMAN MECHANIC AND MUST MEET NATIONAL, STATE, AND LOCAL CODES.

INCOA JOB#

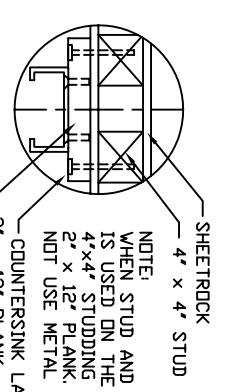
DEALER P.O.#

DRAWN BY:

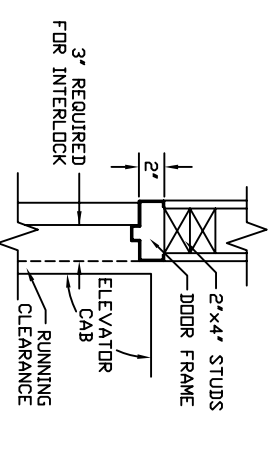
DATE:

XXXXXX

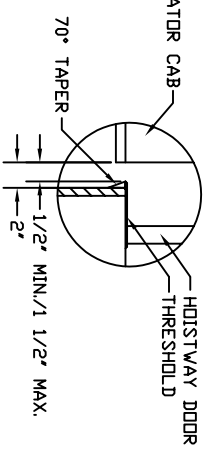
- TECHNICAL DATA:**
1. REACTIONS ON ALL SHEAVES AND MOUNTINGS STATIC = 1,350 LBS. IMPACT = 2,700 LBS.
 2. FASTENING OF HOISTING MACHINE TO CONCRETE 1/2" x 3" HILT BOLTS (OR EQUAL)
 3. RAIL FASTENING TO 2"x12" PLANK #14 x 1 3/4" TYPE A SMS. RAIL IS PRE-DRILLED AT FACTORY.
 4. BOLT FASTENING OF CAR TO TROLLEY 1/2" - 13 x 4" SOCKET HD CAP SCREWS



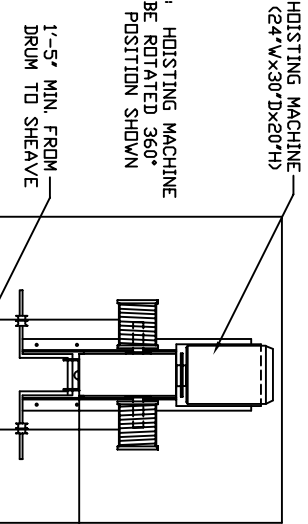
DETAIL



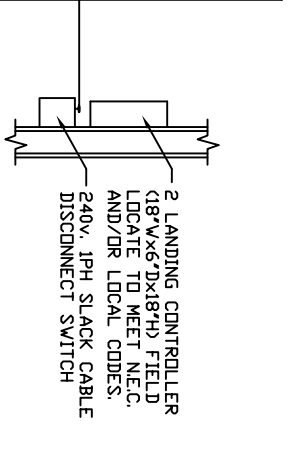
DOOR FRAME DETAIL



SILL DETAIL

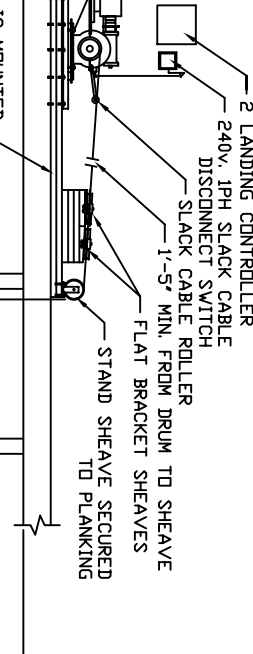


MACHINE ROOM PLAN

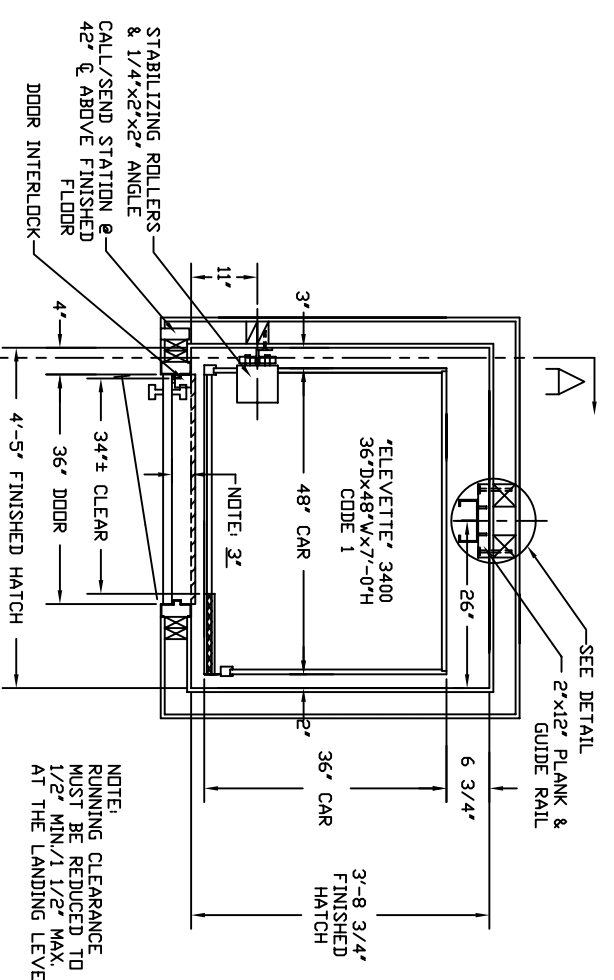


NOTE: MACHINE ROOM LAYOUT MUST COMPLY WITH LOCAL, STATE, AND NATIONAL CODES. REVISE AS NECESSARY FOR COMPLIANCE IN YOUR AREA.

NOTE: WHEN MOUNTING CIRCUIT BREAKER BOX, ANGLE OF 'CHAIN' NEEDS TO BE BETWEEN 20° AND 60°



SECTION A-A



SHAFT PLAN