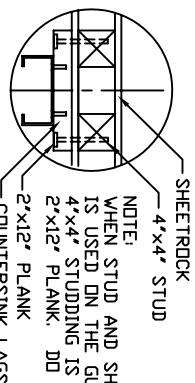
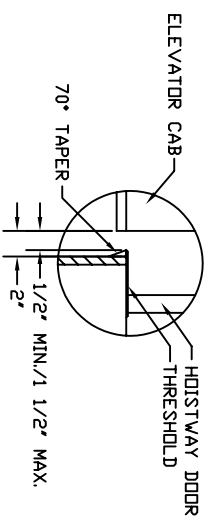


CUTOUT DETAIL

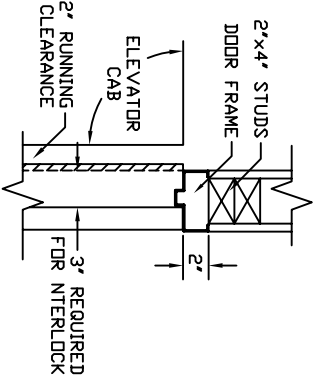


DETAIL



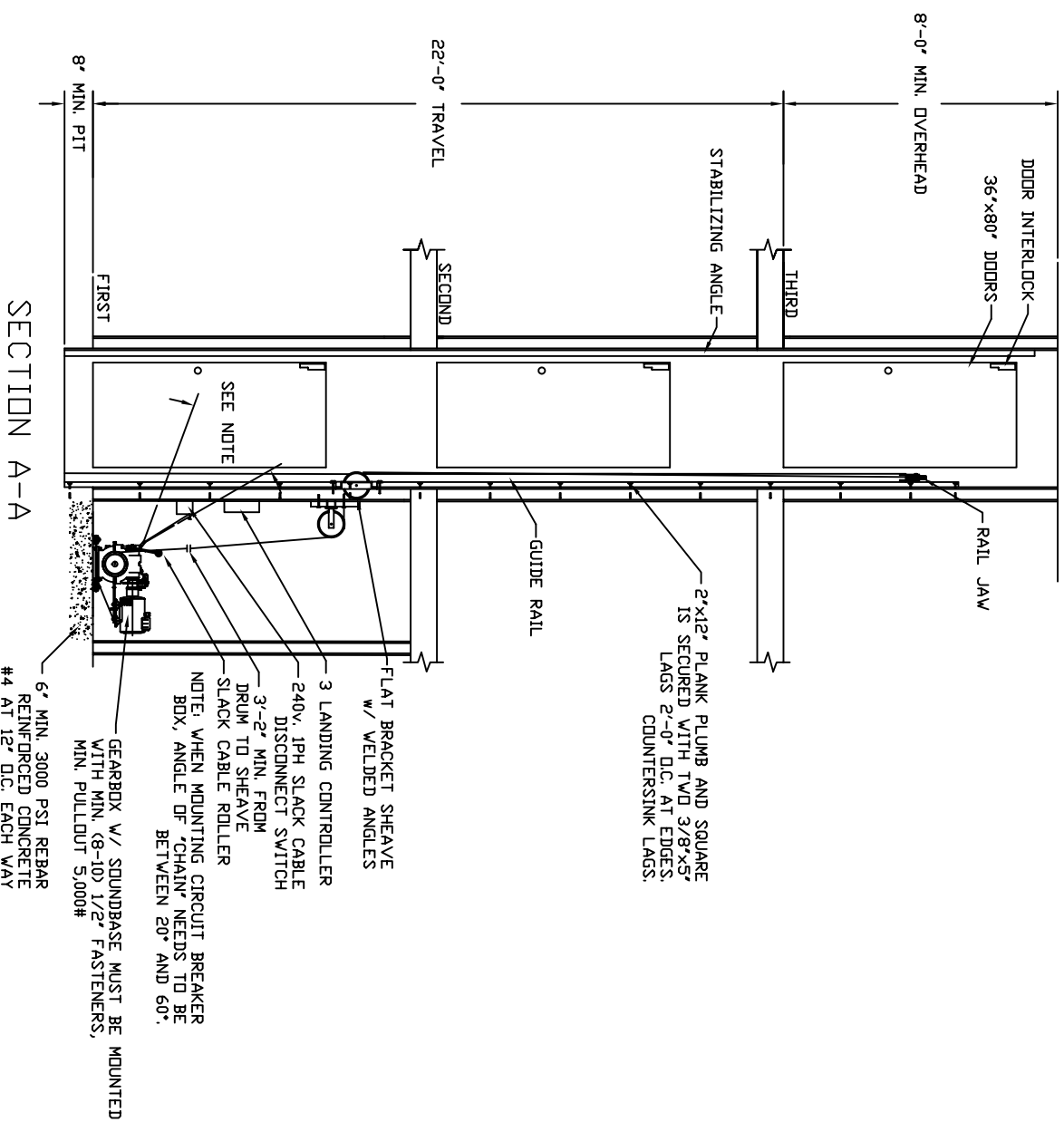
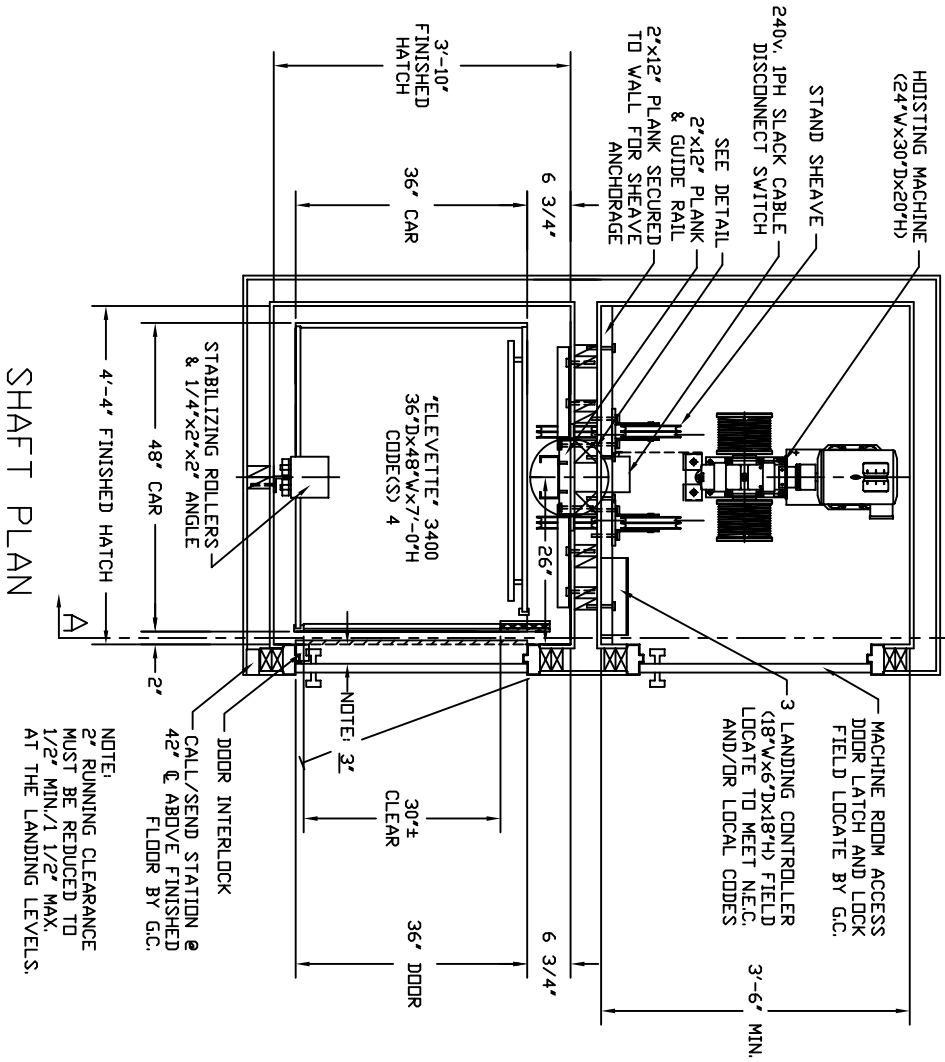
SILL DETAIL

DOOR SILLS TO BE INSTALLED BY G.C. AFTER LIFT SUPPLIER HAS INSTALLED A RUNNING PLATFORM. SILL TO BE BROUGHT OUT TO NOT LESS THAN 1/2" AND NOT MORE THAN 1 1/2" TO THE RUNNING PLATFORM.



DOOR FRAME DETAIL

- TECHNICAL DATA:
1. REACTIONS ON ALL SHEAVES AND MOUNTINGS STATIC = 1,350 LBS. IMPACT = 2,700 LBS.
  2. FASTENING OF HOISTING MACHINE TO CONCRETE 1/2" x 3" HILTI BOLTS (OR EQUAL)
  3. RAIL FASTENING TO 2" x 12" PLANK #14 x 1 3/4" TYPE A S.M.S. RAIL IS PRE-DRILLED AT FACTORY.
  4. BOLT FASTENING OF CAR TO TROLLEY 1/2" - 13 x 4" SOCKET HD CAP SCREWS



SECTION A-A

EQUIPMENT INSTALLED BY

GENERAL CONTRACTOR

ARCHITECT

**INCLINATOR**  
COMPANY OF AMERICA  
HARRISBURG, PA  
SHOP DRAWING NAME

**SPECIFICATIONS**

3 LANDING  
"ELEVETTE" 3400  
CAR 36"D x 48"W x 7'-0"H OVERALL DIMS.  
CAPACITY 750 LBS. AT 30 FPM  
2 WIRE ROPES 13,200 LBS. T.S. IMP PLOW  
STEEL 3/8" x 8 x 19 WSC  
CAR CONSTRUCTION 3/4" HRDWD VENEER  
COLOR/PANEL SELECTION: ADVISE

- ALL DOORS INTERLOCKED - EM4
- SOUND BASE
- MACHINE LIMIT
- PHONE CORD
- PHONE BOX - BRASS DISTAINLESS
- FLOATING GATE
- COLLAPSIBLE GATE FIN. - ADVISE
- GATE SAFETY BAR
- D.A. GATE LOCK
- ACCORDIAN FOLD GATE
- CAR CONTROL PLATE FIN. - ADVISE
- REMOTE PLATES FINISH - ADVISE
- C.D.P. HEIGHT - STD DWHEELCHAIR
- LED BUTTONS
- IN USE LIGHT
- ARRIVAL LIGHTS
- KEY SWITCH OPERATION
- STANDARD ALARM
- EMERGENCY LIGHT AND BELL
- CONSTANT PRESSURE
- DOOR OPEN ALARM
- HOMING DEVICE
- LAMP FIXTURE - ADVISE
- AUTO CAB LIGHT
- HANDRAIL - ADVISE
- FLOOR TYPE - ADVISE
- STABILIZER
- HALF TROLLEY
- SOFT START
- ERL

- NOTES:
1. NOTICE TO ELECTRICAL CONTRACTOR: BRING 4 #10 WIRES TO DISCONNECT SWITCH + GROUND: (2)120V, (2)400V/R, (1)120V, (1)LIGHT, (1)NEUTRAL, 3 HP, MOTOR 240 VOLTS 3 PHASE 60 CYCLE (RUNS ON 1 PHASE) 16 AMPS RUN 60 AMPS START 30 AMP MAIN LINE FUSE
  2. NOTICE TO G.C.: ALL HOISTWAY AND MACHINE ROOM CONSTRUCTION MUST COMPLY WITH NATIONAL, STATE, AND LOCAL CODES. PLEASE ADVISE INCA OF ANY CHANGES NEEDED TO THE DRAWING FOR COMPLIANCE IN YOUR AREA.
  3. SWING TYPE SHAFT DOORS BY OTHERS, HIS REPRESENTATIVE.
  4. NOTICE TO ELEVATOR CONTRACTOR OR HIS REPRESENTATIVE: ALL ELECTRICAL WIRING MUST BE DONE BY A JOURNEYMAN MECHANIC AND MUST MEET NATIONAL, STATE, AND LOCAL CODES.

INCA JOB #  
DEALER P.O. #  
DRAWN BY:  
DATE:

DRAWING IDENTIFICATION NUMBER

XXXXXX