

**SPECIFICATIONS**

3 LANDING

"ELEVETTE" 3400

CAR 36'Dx48'Wx7'-0" H OVERALL DIMS.

CAPACITY 750 LBS. AT 30 FPM

2 WIRE ROPES 13,200 LBS. T.S. IMP PLOW

STEEL 3/8" x 8 x 19 WSC

CAR CONSTRUCTION 3/4" HRDWD VENEER

COLOR/PANEL SELECTION, ADVISE

ALL DOORS INTERLOCKED - EM4

SOUND BASE

MACHINE LIMIT

PHONE CORD

PHONE BOX - BRASS DISTAINLESS

FLOATING GATE

COLLAPSIBLE GATE FIN - ADVISE

GATE SAFETY BAR

DA. GATE LOCK

ACCORDIAN FOLD GATE

CAR CONTROL PLATE FIN - ADVISE

REMOTE PLATES FINISH - ADVISE

C.D.P. HEIGHT - DSTD DWHEELCHAIR

LED BUTTONS

IN USE LIGHT

ARRIVAL LIGHTS

KEYSWITCH OPERATION

STANDARD ALARM

EMERGENCY LIGHT AND BELL

CONSTANT PRESSURE

DOOR OPEN ALARM

HOMING DEVICE

LAMP FIXTURE - ADVISE

AUTO CAB LIGHT

HANDRAIL - ADVISE

FLOOR TYPE - ADVISE

STABILIZER

HALF TROLLEY

SOFT START

EBL

NOTES:

1. NOTICE TO ELECTRICAL CONTRACTOR:

BRING 4 #10 WIRES TO DISCONNECT

SWITCH + GROUND; (2)120V. (240PWR),

(1)120V. (LIGHT) (1)NEUTRAL,

3 HP. MOTOR 240 VOLTS 3 PHASE

60 CYCLE (RUNS ON 1 PHASE)

16 AMPS RUN 60 AMPS START

30 AMP MAIN LINE FUSE

2. NOTICE TO G.C.

ALL HOISTWAY AND MACHINE ROOM

CONSTRUCTION MUST COMPLY WITH

NATIONAL, STATE, AND LOCAL CODES.

PLEASE ADVISE INCOA OF ANY CHANGES

NEEDED TO THE DRAWING FOR

COMPLIANCE IN YOUR AREA.

3. SWING TYPE SHAFT DOORS BY OTHERS,

HIS REPRESENTATIVE.

4. NOTICE TO ELEVATOR CONTRACTOR OR

ALL ELECTRICAL WIRING MUST BE DONE

BY A JOURNEYMAN MECHANIC AND MUST

MEET NATIONAL, STATE, AND LOCAL

CODES.

INCOA JOB #

DEALER P.O. #

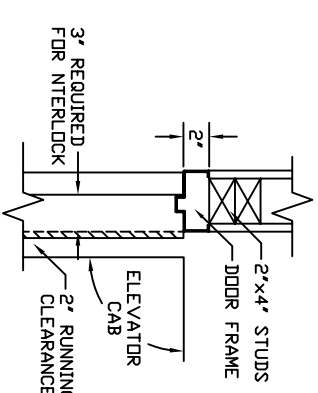
DRAWN BY:

DATE:

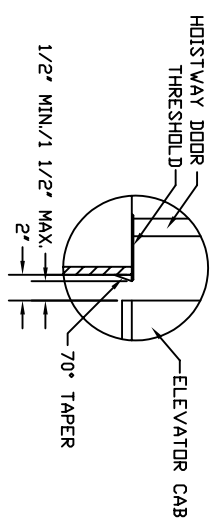
XXXXXX

DRAWING IDENTIFICATION NUMBER

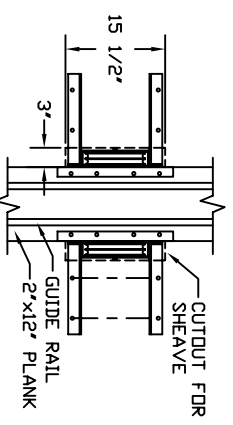
- TECHNICAL DATA:**
1. REACTIONS ON ALL SHEAVES AND MOUNTINGS STATIC = 1,350 LBS. IMPACT = 2,700 LBS.
  2. FASTENING OF HOISTING MACHINE TO CONCRETE 1/2" x 3" HILTI BOLTS (OR EQUAL)
  3. RAIL FASTENING TO 2"x12" PLANK #14 x 1 3/4" TYPE A S.M.S. RAIL IS PRE-DRILLED AT FACTORY.
  4. BOLT FASTENING OF CAR TO TROLLEY 1/2" - 13 x 4" SOCKET HD CAP SCREWS



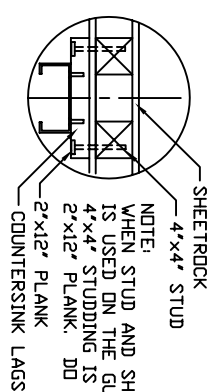
DOOR FRAME DETAIL



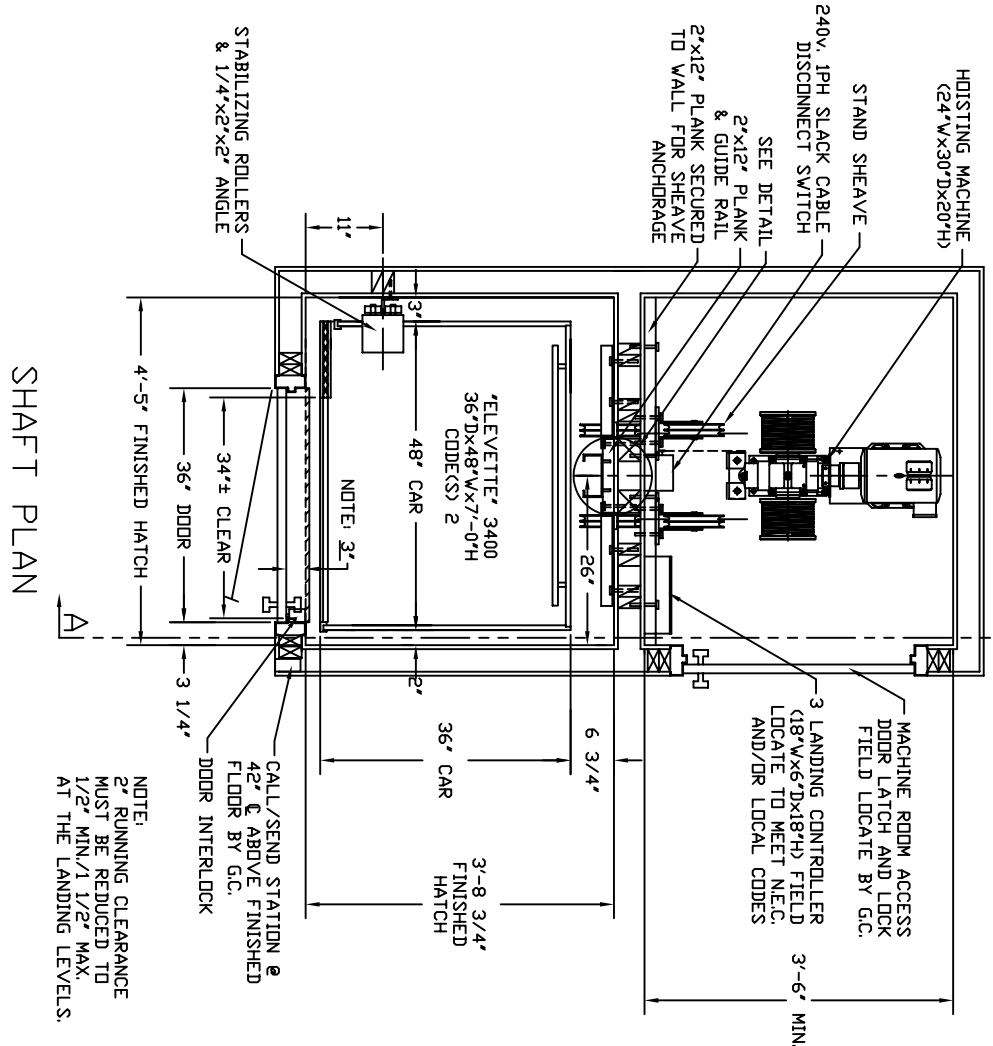
SILL DETAIL



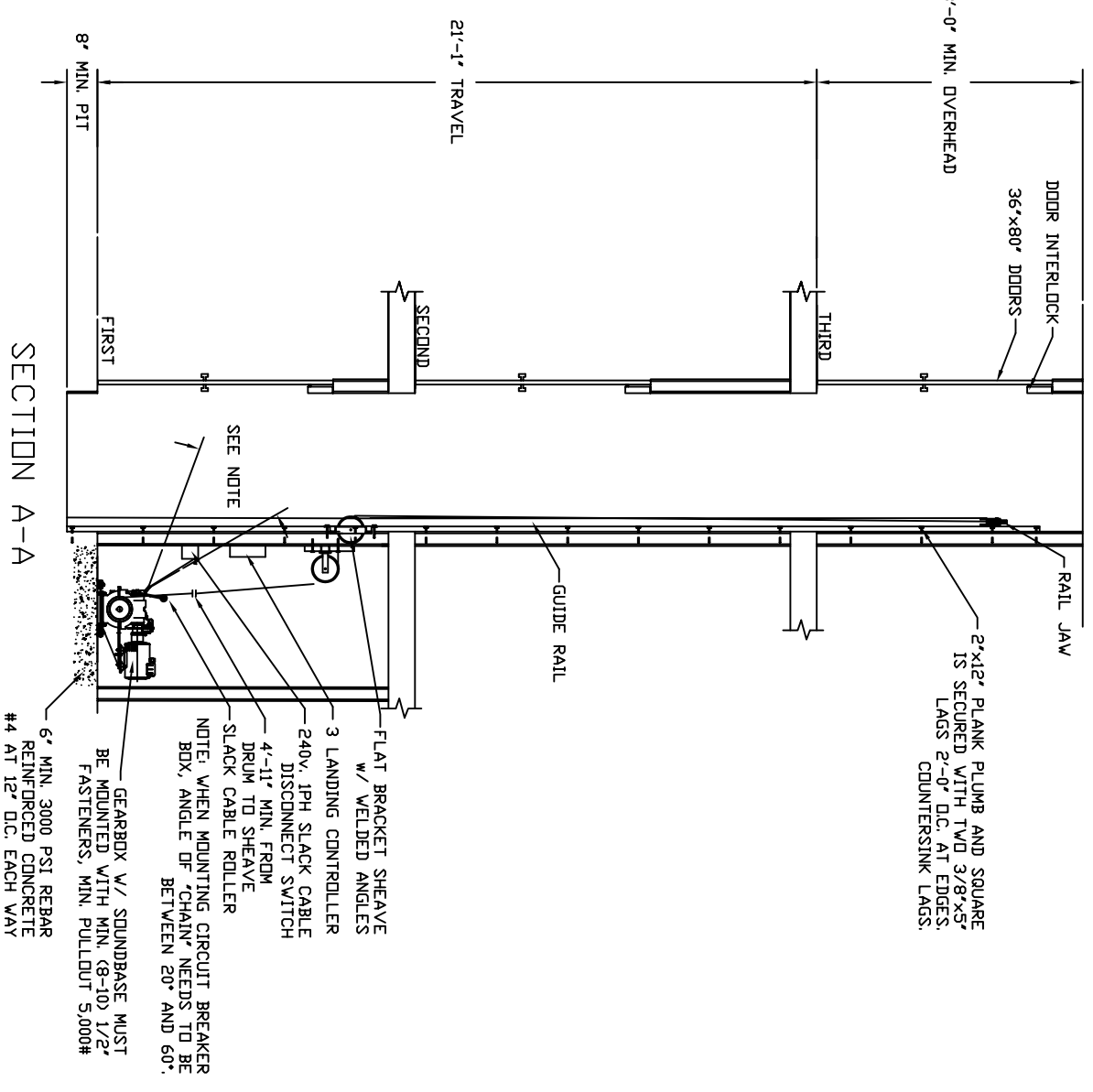
CUTOUT DETAIL



DETAIL



SHAFT PLAN



SECTION A-A