

SHOP DRAWING NAME

TYPICAL

ARCHITECT

GENERAL CONTRACTOR

EQUIPMENT INSTALLED BY

TYPICAL

SPECIFICATIONS

3 LANDING
"ELEVETTE" 3400

CAR 36"Dx48"Wx7'-0"H OVERALL DIMS.
CODE(S) 4
CAPACITY 750 LBS. AT 30 FPM
2 WIRE ROPES 13,200 LBS. T.S. 1/2" IMP PLOW
STEEL 3/8" x 8 x 19 WSC
CAR CONSTRUCTION: 3/4" HRWD VENEER
COLOR/PANEL SELECTION: ADVISE

- ALL DDORS INTERLOCKED - EM4
- SOUND BASE
- MACHINE LIMIT
- PHONE CORD
- PHONE BOX - BRASS DISTAINLESS
- FLOATING GATE
- COLLAPSIBLE GATE FIN. - ADVISE
- GATE LOCK
- DA. GATE LOCK
- ACCORDIAN FOLD GATE
- CAR CONTROL PLATE FIN. - ADVISE
- REMOTE PLATES FINISH - ADVISE
- C.D.P. HEIGHT - DSTD. WHEELCHAIR
- LED BUTTONS
- IN USE LIGHT
- ARRIVAL LIGHTS
- KEYSWITCH IN CAR
- STANDARD ALARM
- EMERGENCY LIGHT AND BELL
- CONSTANT PRESSURE
- DOOR OPEN ALARM
- HONING DEVICE
- LAMP FIXTURE - ADVISE
- AUTO CAB LIGHT
- FLOOR TYPE - ADVISE
- STABILIZER
- HALF TROLLEY
- SDF-T START

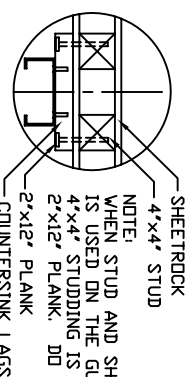
NOTES:
1. NOTICE TO ELECTRICAL CONTRACTOR:
BRING 4 #10 WIRES TO DISCONNECT
SWITCH + GROUND, (2)120V, (2)40PWR,
(1)120V, (LIGHT), (1)NEUTRAL,
3 HP. MOTOR 240 VOLTS 3 PHASE
60 CYCLE (RUNS ON 1 PHASE)
10 AMPS RUN 50 AMPS START
30 AMP MAIN LINE FUSE
2. NOTICE TO G.C.
ALL HOISTWAY AND MACHINE ROOM
CONSTRUCTION MUST COMPLY WITH
NATIONAL, STATE, AND LOCAL CODES.
PLEASE ADVISE INCA OF ANY CHANGES
NEEDED TO THE DRAWING FOR
COMPLIANCE IN YOUR AREA.
3. SWING TYPE SHAFD DDORS BY OTHERS.
4. NOTICE TO ELEVATOR CONTRACTOR OR
HIS REPRESENTATIVE:
ALL ELECTRICAL WIRING MUST BE DONE
BY A JOURNEYMAN MECHANIC AND MUST
MEET NATIONAL, STATE, AND LOCAL
CODES.

APPROVAL #
INCA JOB #
DEALER P.O. #
DRAWN BY:
DATE:

DRAWING IDENTIFICATION NUMBER

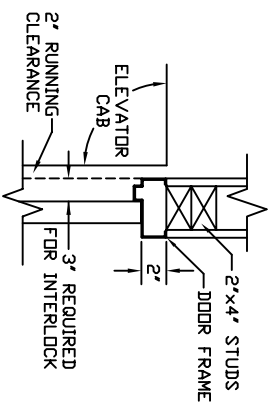
XXXXX

- TECHNICAL DATA:
1. REACTIONTS ON ALL SHEAVES AND MOUNTINGS
STATIC = 1,350 LBS.
IMPACT = 2,700 LBS.
 2. FASTENING OF HOISTING MACHINE TO CONCRETE
1/2" x 3" HILTI BOLTS (OR EQUAL)
 3. RAIL FASTENING TO 2"x12" PLANK
#14 x 1 3/4" TYPE A SMS. RAIL IS PRE-
DRILLED AT FACTORY.
 4. BOLT FASTENING OF CAR TO TROLLEY
1/2" - 13 x 4" SOCKET HD CAP SCREWS

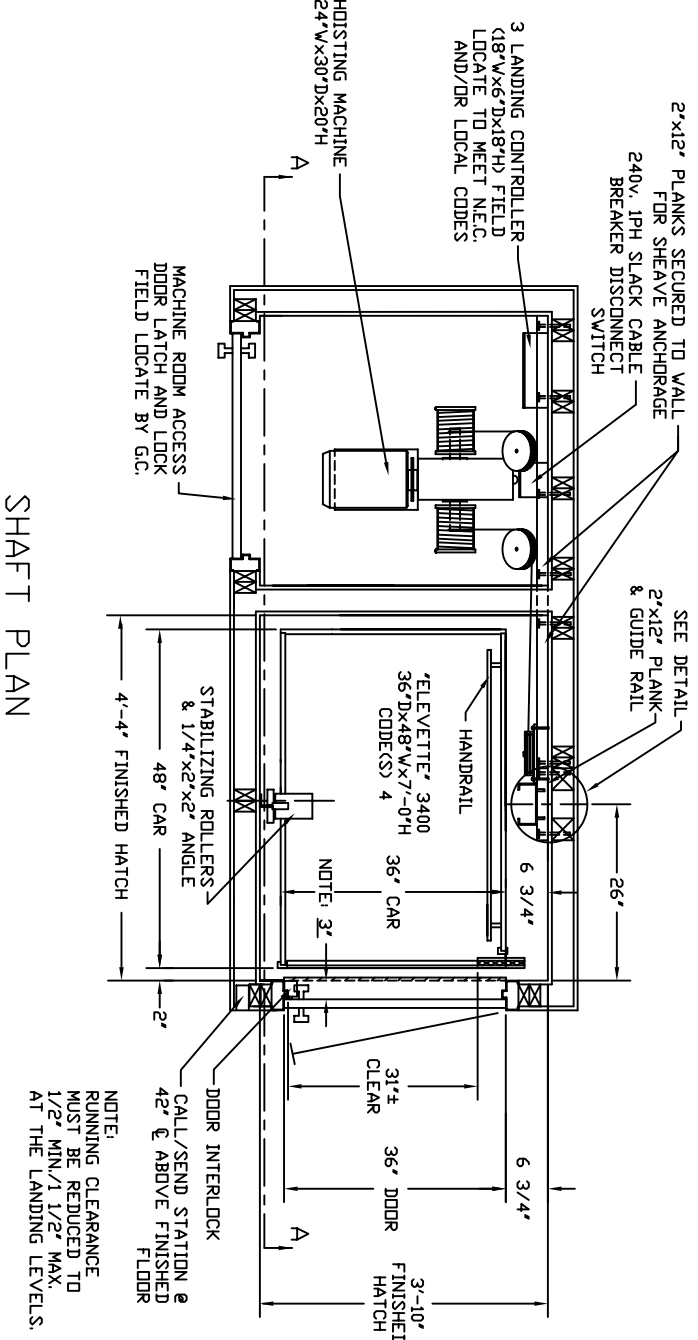


SILL DETAIL

DOOR SILLS TO BE INSTALLED BY G.C.
AFTER LIFT SUPPLIER HAS INSTALLED
A RUNNING PLATFORM. SILL TO BE
BROUGHT OUT TO NOT LESS THAN 1/2"
AND NOT MORE THAN 1 1/2" TO THE
RUNNING PLATFORM.



DOOR FRAME DETAIL

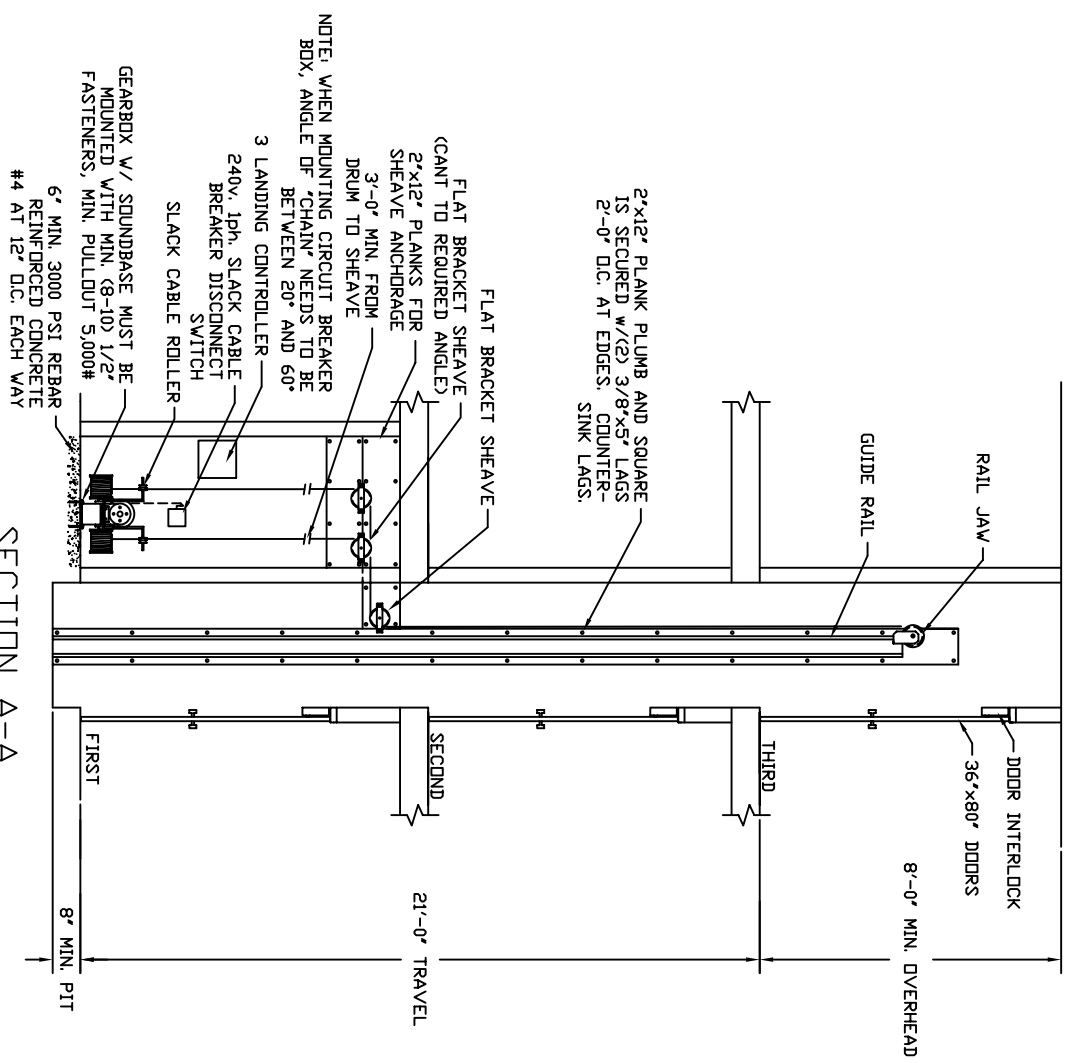


SHAFT PLAN

NOTE:
MACHINE ROOM LAYOUT MUST
COMPLY WITH LOCAL STATE
AND NATIONAL CODES. REVISE
AS NECESSARY FOR COMPLIANCE
IN YOUR AREA.

NOTE:
RUNNING CLEARANCE
MUST BE REDUCED TO
1/2" MIN./1 1/2" MAX.
AT THE LANDING LEVELS.

SECTION A-A



2"x12" PLANK PLUMB AND SQUARE
IS SECURED W/ (2) 3/8"x5" LAGS
2'-0" DC. AT EDGES. COUNTER-
SINK LAGS.

NOTE: WHEN MOUNTING CIRCUIT BREAKER
BOX, ANGLE OF CHAIN NEEDS TO BE
BETWEEN 20° AND 60°
DRUM TO SHEAVE

FLAT BRACKET SHEAVE
(CANT TO REQUIRED ANGLE)
2"x12" PLANKS FOR
SHEAVE ANCHORAGE
3'-0" MIN. FROM
DRUM TO SHEAVE

3 LANDING CONTROLLER
240V, 1PH. SLACK CABLE
BREAKER DISCONNECT
SWITCH
SLACK CABLE ROLLER

GEARBOX V/ SOUNDBASE MUST BE
MOUNTED WITH MIN. (8'-10") 1/2"
FASTENERS, MIN. PULLOUT 5,000#
6" MIN. 3000 PSI REBAR
REINFORCED CONCRETE
#4 AT 12" DC. EACH WAY