

SPECIFICATIONS

2 LANDING
"ELEVETTE" 3400
CAR 36"x48"x7'-0" OVERALL DIMS.
CAPACITY 500 LBS. AT 30 F.P.M.
2 WIRE ROPES 5,700 LBS. T.S. IMP. PLOW
STEEL 1/4" x 8 x 19 WSC
CAR CONSTRUCTION 3/4" HRVD VENEER
COLOR/PANEL SELECTION:

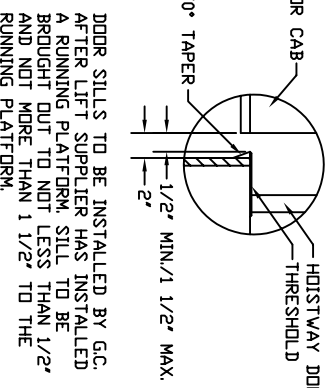
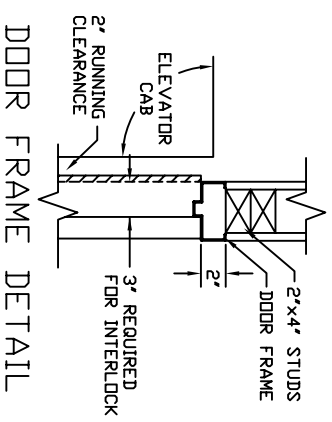
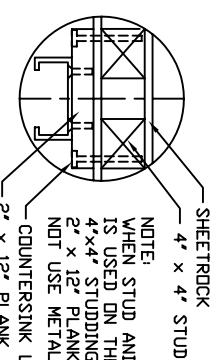
- ALL DOORS INTERLOCKED - EM4
- SOUND BASE
- MACHINE LIMIT
- PHONE CORD
- FLOODING GATE
- COLLAPSIBLE GATE FIN. - ADVISE
- GATE SAFETY BAR
- DIA. GATE LOCK
- ACCORDIAN FOLD GATE
- CAR CONTROL PLATE FIN. - ADVISE
- CLIP HEIGHT - BSTD. OWHEELCHAIR
- LED BUTTONS
- IN USE LIGHT
- ARRIVAL LIGHTS
- KEYSWITCH IN CAR
- STANDARD ALARM
- EMERGENCY LIGHT AND BELL
- CONSTANT PRESSURE
- DDDR OPEN ALARM
- HOMING DEVICE
- LAMP FIXTURE - ADVISE
- AUTO CAB LIGHT
- HANDRAIL - ADVISE
- FLOOR - ADVISE
- STABILIZER
- HALF TROLLEY
- SOLID STOP
- BUFFER SPRING 06" DIA"
- SDFT START
- EBL

NOTES:
1. NOTICE TO ELECTRICAL CONTRACTOR: BRING 4 #10 WIRES TO DISCONNECT SWITCH + GROUND, (2)20V, (2)40VWR, (1)20V, (LIGHT), (1)NEUTRAL.
3. HP. MOTOR 240 VOLTS 3 PHASE 60 CYCLE RUNS ON 1 PHASE 10 AMPS RUN 50 AMPS START 30 AMP MAIN LINE FUSE
2. NOTICE TO G.C. ALL HOISTWAY AND MACHINE ROOM CONSTRUCTION MUST COMPLY WITH NATIONAL, STATE, AND LOCAL CODES. PLEASE ADVISE INCA OF ANY CHANGES NEEDED TO THE DRAWING FOR COMPLIANCE IN YOUR AREA.
3. SWING TYPE SHAFT DOORS BY OTHERS. HIS REPRESENTATIVE: ALL ELECTRICAL WIRING MUST BE DONE BY A JOURNEYMAN MECHANIC AND MUST MEET NATIONAL, STATE, AND LOCAL CODES.

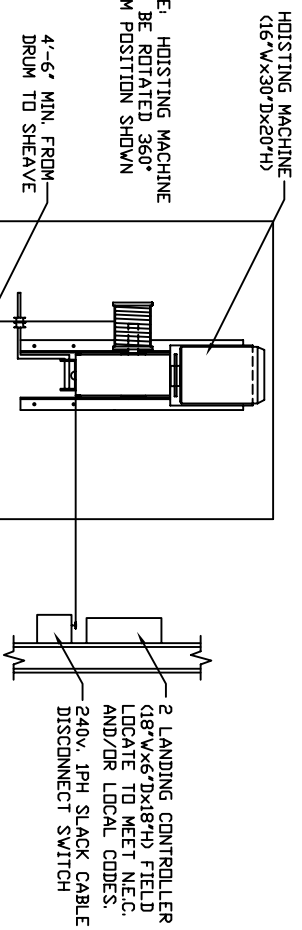
INCA JOB #
DEALER P.O. #
DRAWN BY:
DATE:
DRAWING IDENTIFICATION NUMBER
XXXXXX

- TECHNICAL DATA:**
1. REACTIONS ON ALL SHEAVES AND MOUNTINGS STATIC = 1,100 LBS.
IMPACT = 2,200 LBS.
 2. RAIL FASTENING TO 2"x12" PLANK #14 x 1 3/4" TYPE A S.M.S. RAIL IS PRE-DRILLED AT FACTORY.
BOLT FASTENING OF CAR TO TROLLEY 1/2" - 13 x 4" SOCKET HD CAP SCREWS

DETAIL

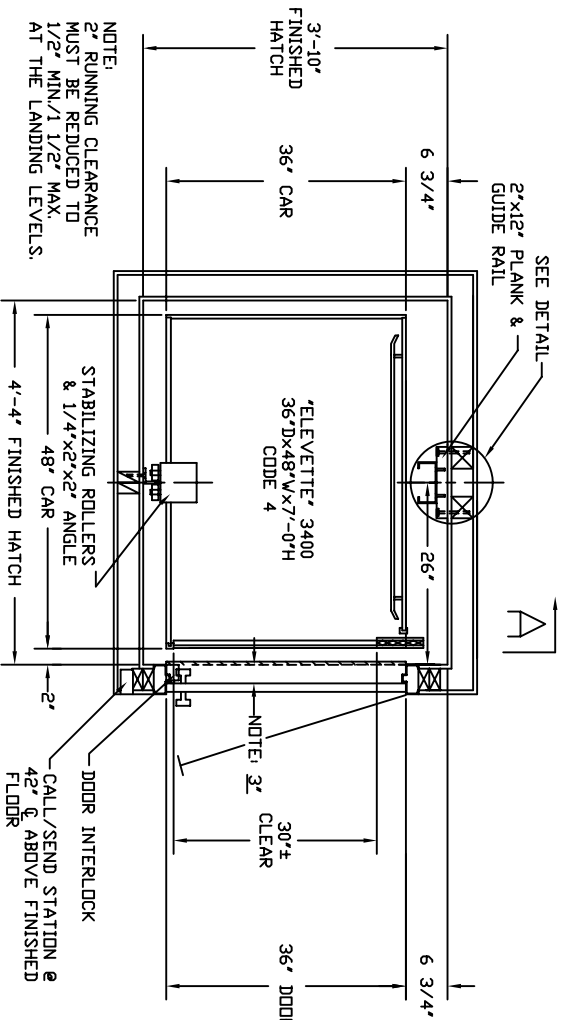


SILL DETAIL



MACHINE ROOM PLAN

NOTE: MACHINE ROOM LAYOUT MUST COMPLY WITH LOCAL, STATE, AND NATIONAL CODES. REVISE AS NECESSARY FOR COMPLIANCE IN YOUR AREA.



SHAFT PLAN

SECTION A-A

