

SHOP DRAWING NAME

TYPICAL

ARCHITECT

GENERAL CONTRACTOR

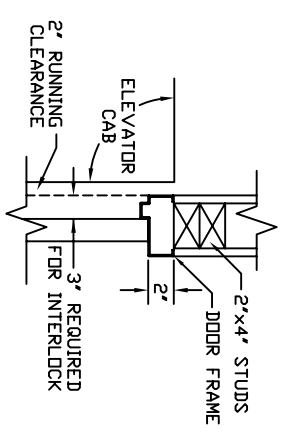
EQUIPMENT INSTALLED BY
TYPICAL

SPECIFICATIONS

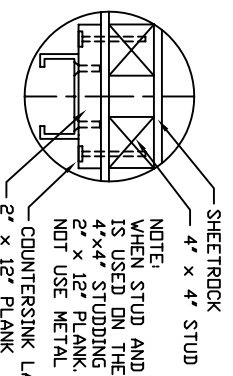
2 LANDING
"ELEVETTE" 3400
CAR 36" Dx 48" W x 7'-0" H OVERALL DIMS.
CAPACITY 500 LBS. AT 30 F.P.M.
2 WIRE ROPES 5,700 LBS. T.S. IMP. PLDW
STEEL 1/4" x 8 x 19 WSC
CAR CONSTRUCTION: 3/4" HRDWD VENEER
COLOR/PANEL SELECTION: ADVISE

- ☒ ALL DOORS INTERLOCKED - EM4
- ☒ SOUND BASE
- ☒ MACHINE LIMIT
- ☒ PHONE CORD
- ☒ PHONE BDX - CBRASS OBTAINLESS
- ☒ FLATING GATE
- ☒ COLLAPSIBLE GATE FIN - ADVISE
- ☒ GATE SAFETY BAR
- ☒ D.A. GATE LOCK
- ☒ ACCORDIAN FOLD GATE
- ☒ CAR CONTROL PLATE FIN. - ADVISE
- ☒ REMOTE PLATES FINISH - ADVISE
- ☒ C.D.P. HEIGHT - CSTD. DWHELCHAIR
- ☒ LED HEIGHTS
- ☒ IN USE LIGHT
- ☒ ARRIVAL LIGHTS
- ☒ KEYS WITH OPERATION
- ☒ STANDARD ALARM
- ☒ EMERGENCY LIGHT AND BELL
- ☒ CONSTANT PRESSURE
- ☒ DOOR OPEN ALARM
- ☒ HOMING DEVICE
- ☒ LAMP FIXTURE - ADVISE
- ☒ AUTO CAB LIGHT
- ☒ HANDRAIL - ADVISE
- ☒ FLOOR TYPE - ADVISE
- ☒ STABILIZER
- ☒ HALF TROLLEY
- ☒ EBL
- ☒ SDF START

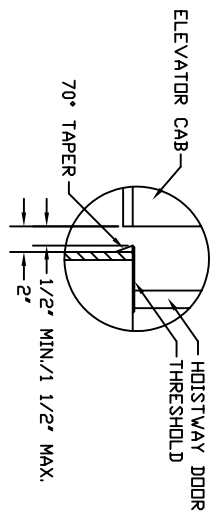
- NOTES:**
1. NOTICE TO ELECTRICAL CONTRACTOR: BRING 4 #10 WIRES TO DISCONNECT SWITCH + GROUND. (2)120V. (2)400V/R, (1)20V. (LIGHT), (1)NEUTRAL.
 3. H.P. MOTOR 240 VOLTS 3 PHASE 60 CYCLE (RUNS ON 1 PHASE)
 - 10 AMPS RUN 50 AMPS START 30 AMP MAIN LINE FUSE
 2. NOTICE TO G.C.
 - ALL HOISTWAY AND MACHINE ROOM CONSTRUCTION MUST COMPLY WITH NATIONAL, STATE, AND LOCAL CODES. PLEASE ADVISE INCGA OF ANY CHANGES NEEDED TO THE DRAWING FOR COMPLIANCE IN YOUR AREA.
 3. SWING TYPE SHAFT DOORS BY OTHERS. HIS REPRESENTATIVE.
 4. NOTICE TO ELEVATOR CONTRACTOR OR ALL ELECTRICAL WIRING MUST BE DONE BY A JOURNEYMAN MECHANIC AND MUST MEET NATIONAL, STATE, AND LOCAL CODES.



DOOR FRAME DETAIL



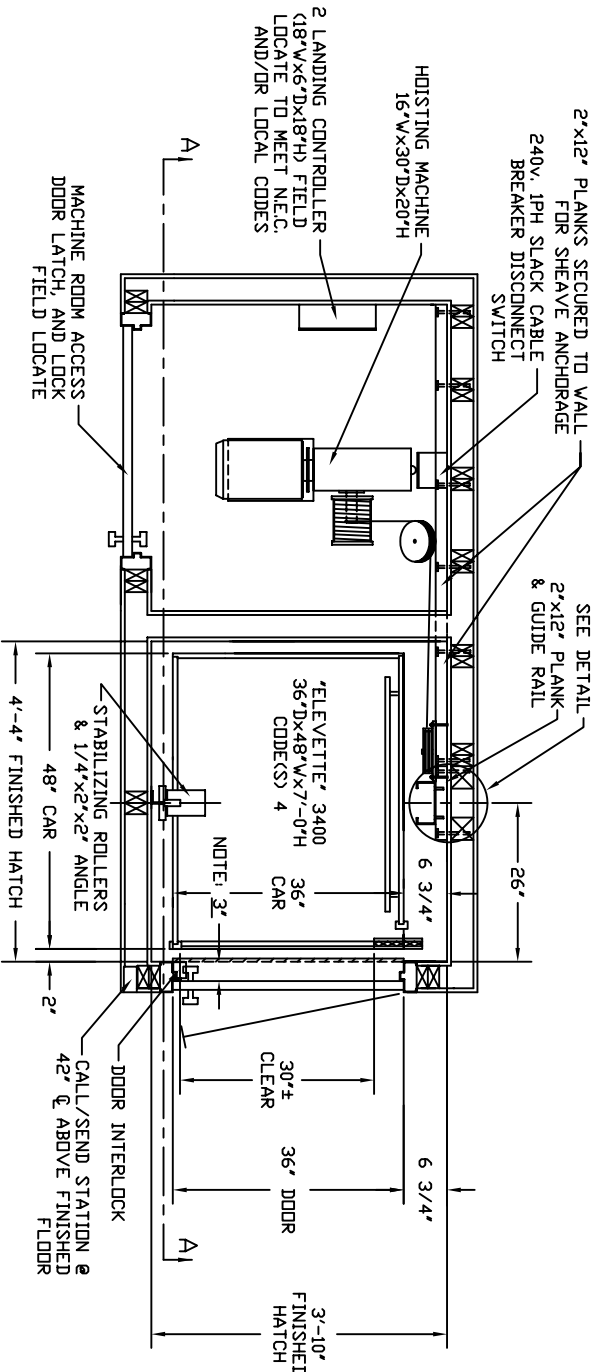
DETAIL



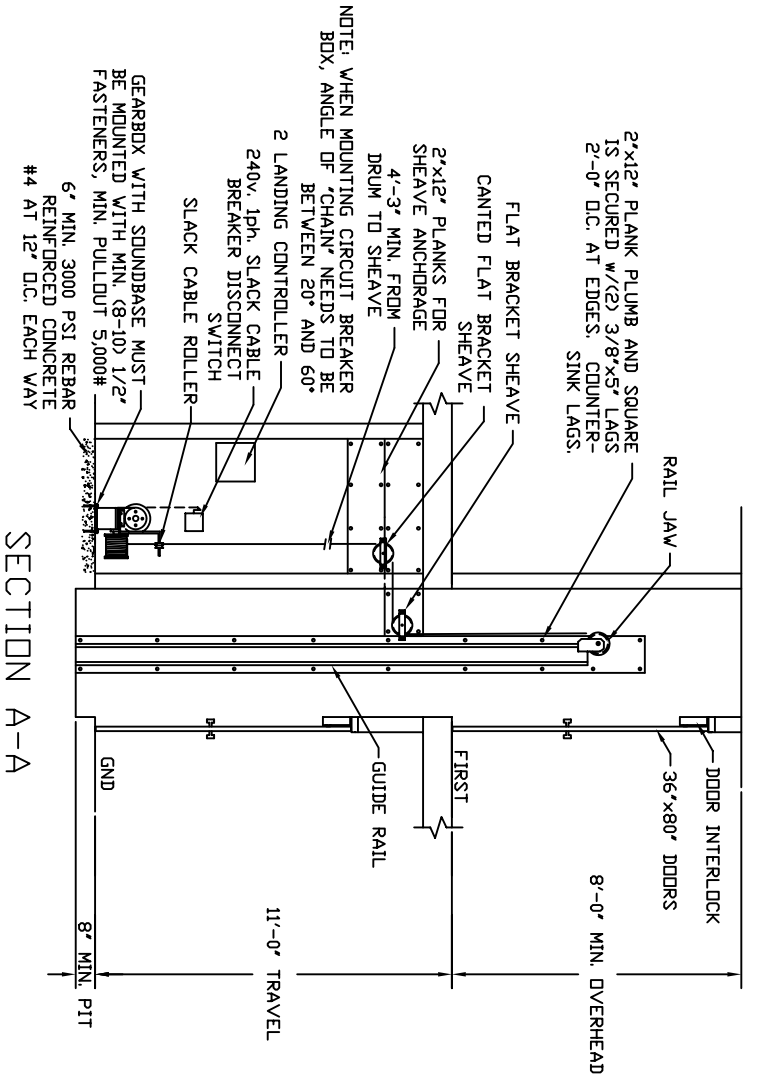
SILL DETAIL

DOOR SILLS TO BE INSTALLED BY G.C. AFTER LIFT SUPPLIER HAS INSTALLED A RUNNING PLATFORM. SILL TO BE BROUGHT OUT TO NOT LESS THAN 1/2" AND NOT MORE THAN 1 1/2" TO THE RUNNING PLATFORM.

- TECHNICAL DATA:**
1. REACTIONS ON ALL SHEAVES AND MOUNTINGS
STATIC = 1,100 LBS.
IMPACT = 2,200 LBS.
 2. FASTENING OF HOISTING MACHINE TO CONCRETE
1/2" x 3" HILTI BOLTS (OR EQUAL)
 3. RAIL FASTENING TO 2"x12" PLANK
#14 x 1 3/4" TYPE A S.M.S. RAIL IS PRE-DRILLED AT FACTORY.
 4. BOLT FASTENING OF CAR TO TROLLEY
1/2" - 13 x 4" SOCKET HD CAP SCREWS



SHAFT PLAN



SECTION A-A